

MODEL NO. 2F10-07 10 BASE-T FILTER

SPECIFICATIONS: ALL SPECIFICATIONS AT 25°C

ELECTRICAL SPECIFICATIONS:

INSERTION LOSS (1-10MHz): Transmitter 1.0dBmax: Receiver 1.0dBmax.

RETURN LOSS (5MHz-10MHz): 18dB

CROSSTALK (10MHz): 45dB min

GROUP DELAY (5-10MHz): 2.0ns max

HI-POT TEST: 2000Vrms

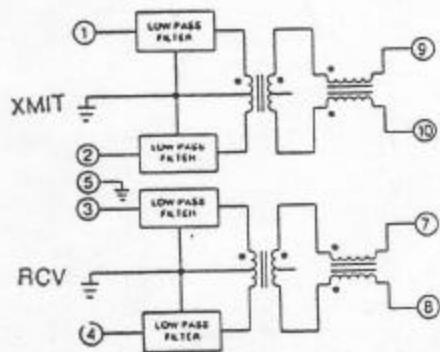
CMRR: (50MHz) 55dB min; (100MHz) 45dB min

ATTENUATION:

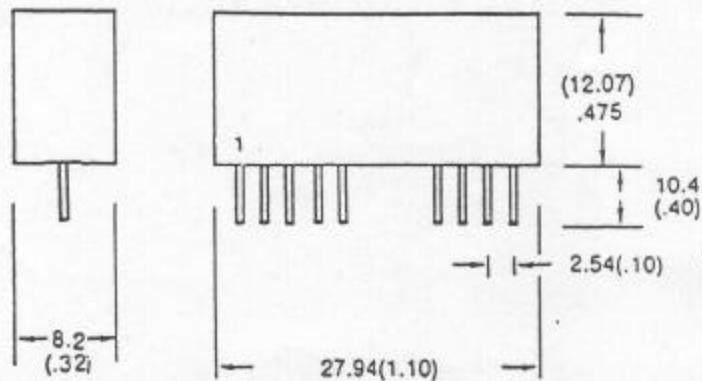
30MHz: TRANSMITTER: 37dB min, RECEIVER: 15dB min

50-100MHz: TRANSMITTER: 40dB min, RECEIVER: 40dB min

SCHEMATIC



PACKAGE DIMENSIONS



Specifications subject to change without notice.