

10 BASE-T FILTER WITH DUAL COMMON MODE CHOKE

MODEL NO. 2F16-01D

SPECIFICATIONS: ALL SPECIFICATIONS AT 25°C

ELECTRICAL SPECIFICATIONS:

INSERTION LOSS(1-10MHz):Transmitter 1.0dBmax:Receiver 1.0dBmax

RETURN LOSS(5MHz): 15dB

CROSSTALK (1-10MHz): 30dB min

GROUP DELAY(5-10MHz): 2.0ns max

HI-POT TEST: 2000Vrms

TYPE: 7 Pole Transmitter; 5 Pole Receiver

CUT OFF FREQUENCY: 17MHz±.70MHz

CMRR (10-30MHz): 40dB min.

(30-70MHz): 30dB min.

ATTENUATION:

20MHz: TRANSMITTER: 7dB min, RECEIVER: 6dB min

25MHz: TRANSMITTER: 19dB min, RECEIVER: 14dB min

30MHz: TRANSMITTER: 32dB min, RECEIVER: 20dB min

40MHz: TRANSMITTER: 35dB min, RECEIVER: 31dB min

CHOKE SPECIFICATIONS:

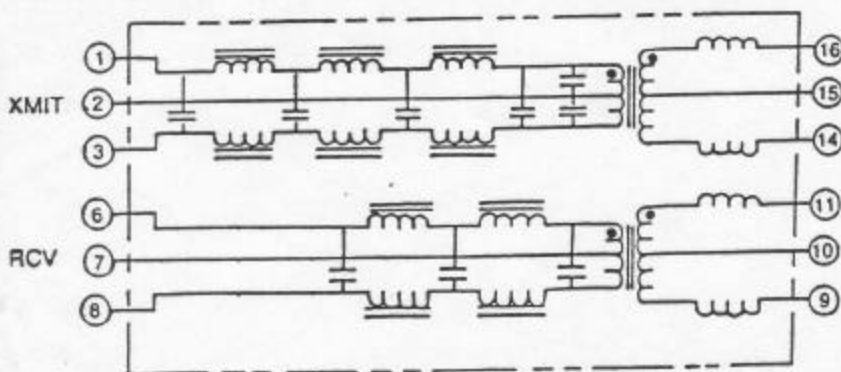
TURNS RATIO: 1:1 & 1:1

PRIMARY INDUCTANCE(Lp): 18-36µH min

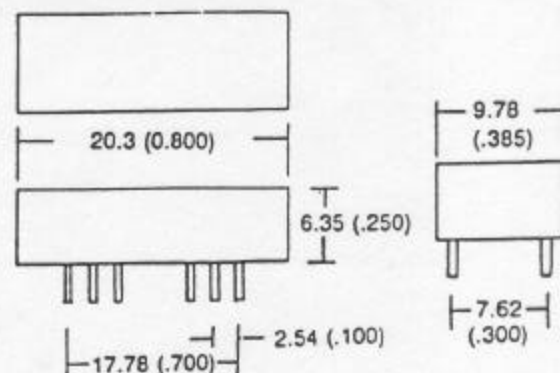
LEAKAGE INDUCTANCE(LL): 0.3µH max

PRIMARY CAPACITANCE:(Cww): 25pf max

SCHEMATIC



PACKAGE



Specifications subject to change without notice.