

100/1000BASE-TX

Magnetics Module

Electrical Specifications: @25 °C

IC Grade Transfer-Molded Package withstand 235°C IR Reflow

Turns Ratio: PRI/SEC 1CT:1 ±3%

Isolation Voltage: 1500 Vrms (Input to Output)

OCL: 350uH Minimum @100KHz 100mV 8mADC

Insertion Loss: -1.0dB Maximum @100KHz ~ 100MHz

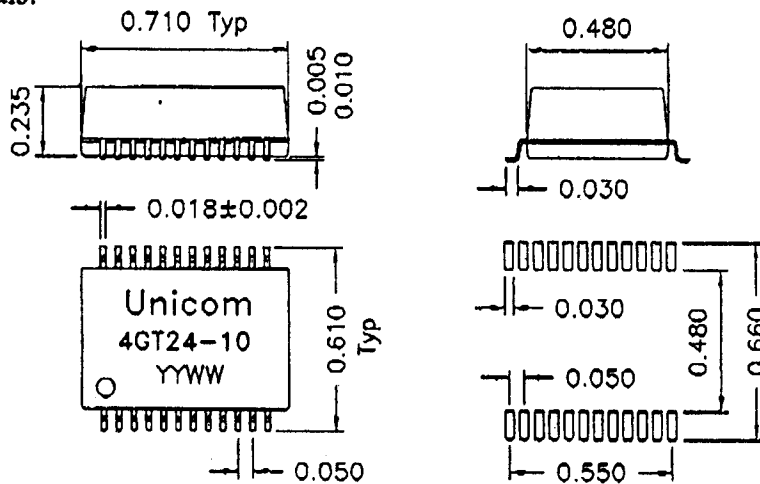
Return Loss: -18dB Minimum @1MHz ~ 30MHz / -14.4dB Minimum @40MHz
 -13.1dB Minimum @50MHz / -12dB Minimum @60MHz ~ 80MHz
 -10dB Minimum @100MHz

Crosstalk: -45dB Min @30MHz / -40dB Min @60MHz / -35dB Min @100MHz

Differential to Common Mode Rejection:

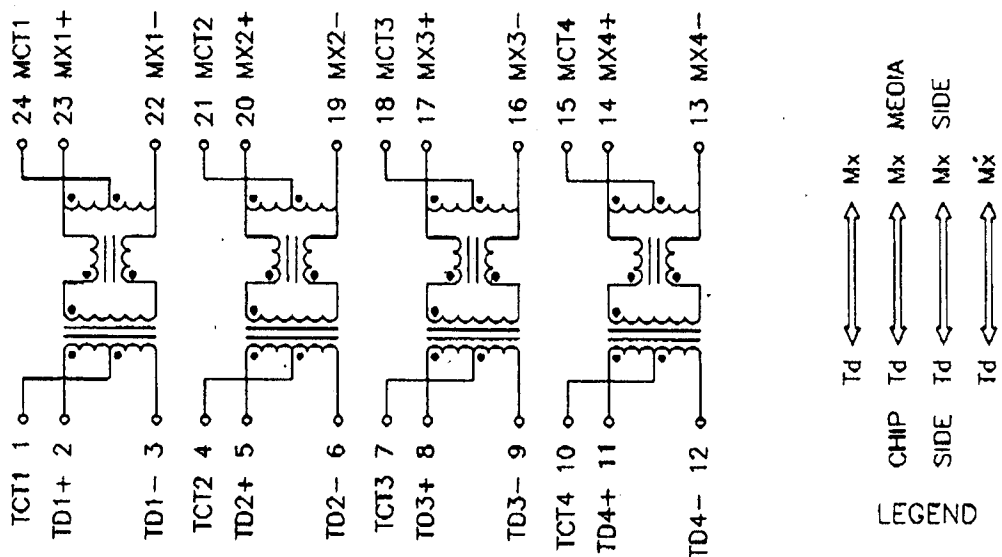
-42dB Min @30MHz / -37dB Min @60MHz / -33dB Min @100MHz

Mechanicals:



SUGGESTED PCB PAD LAYOUT

Schematics:



P/N: 4GT24-10	DIMENSIONS IN INCH	Unless otherwise specified Dim. Tolerances are: .xxx ±0.010	REV: C	DRWN:	DATE: 00-12-08
	SCALE: NONE		PAGE: 1/1	APPD	DATE: