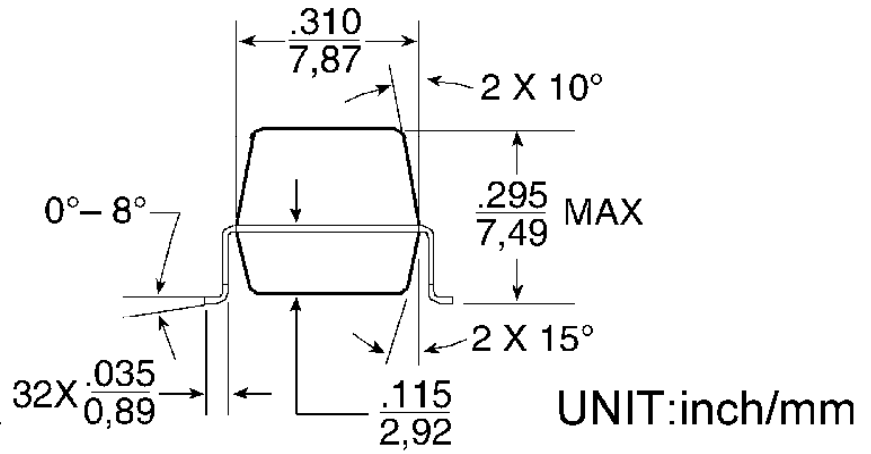
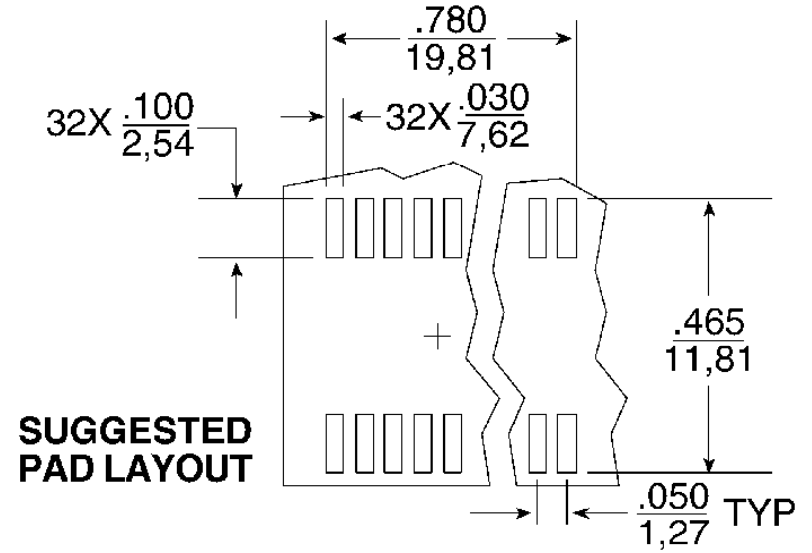
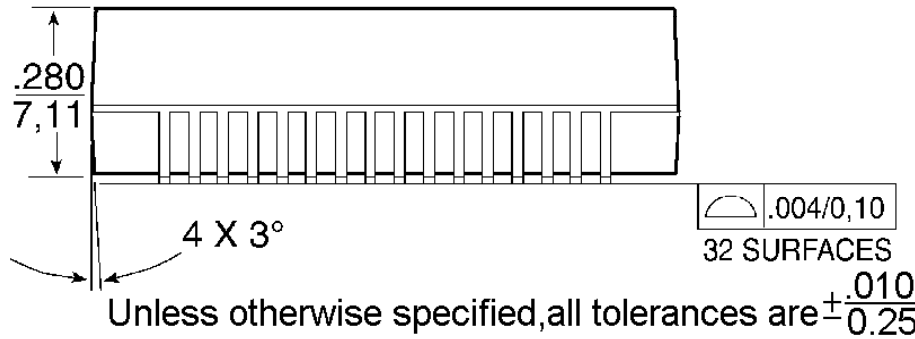
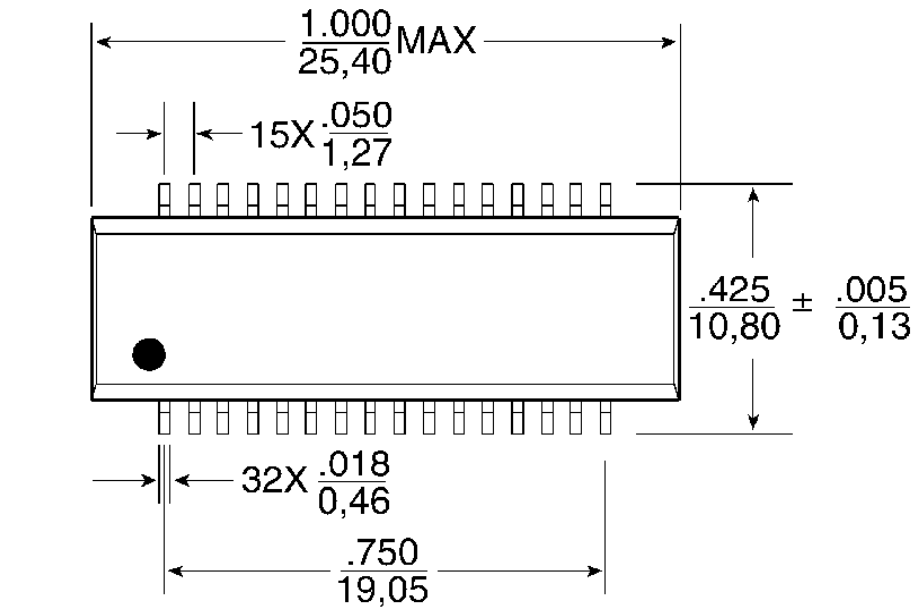
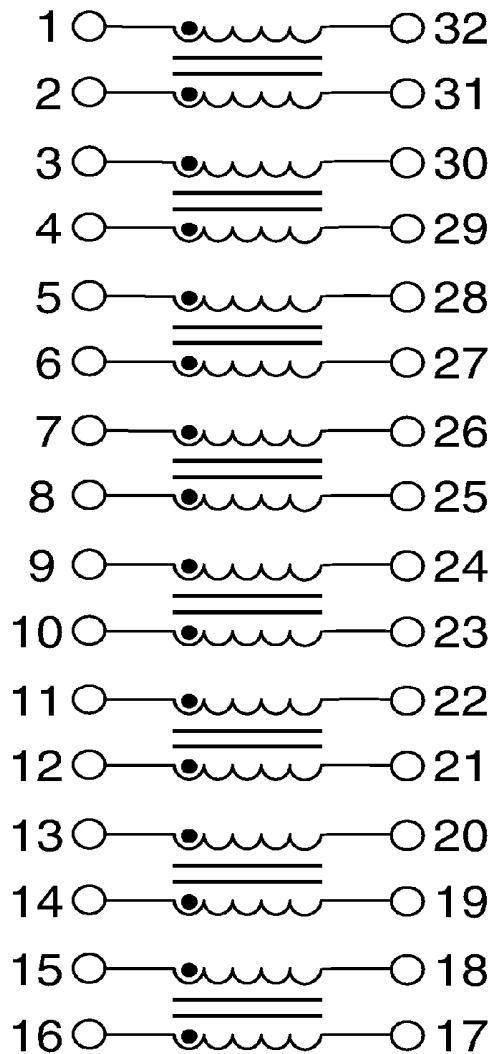


# Mechanical



				<b>UNICOM ELECTRONIC CORP.</b>			
<b>TITLE</b>	<b>8X2 LINE COMMON MODE CHOKES</b>			<b>P/N</b>	<b>8CMC32-09</b>	<b>DATE</b>	<b>DEC.15.2004</b>
<b>REV.</b>	<b>1.0</b>	<b>PAGE NO</b>	<b>1-2</b>	<b>AP'PD</b>		<b>DWN</b>	

### Schematic



### ELECTRICAL SPECIFICATIONS@25°C:

**TURNS RATIO:** 1:1±5%

**PRI. INDUCTANCE:** 47uH MIN. @100KHZ/0.2V

**D.C.R.:** 0.4Ω MAX

**HI-POT:** 1500Vrms/0.5mA

**INSERTION LOSS (dB MAX):**

-1.2dB(0.3MHZ) , -1.0dB(10MHZ) , -1.0dB(100MHZ)

**RETURN LOSS (dB MIN):**

-10dB(0.3MHZ) , -25dB(10MHZ) , -8dB(100MHZ)

**CROSSTALK (dB MIN):**

-60dB(0.3MHZ) , -50dB(10MHZ) , -30dB(100MHZ)

**CMRR (dB MIN):**

-60dB(0.3MHZ) , -30dB(10MHZ) , -10dB(100MHZ)

**OPERATING TEMPERATURE :** -40°C ~ +85°C

**8CMC32-09**

**UNICOM ELECTRONIC CORP.**